

The 12 series non-contact absolute position transducer is specially designed for parison control which dynamically control thickness of Parison to get a uniform thickness container on an Extrusion Blow Moulding machine.

The 12 series adopts the non-contact magnetostrictive measuring technology for precise, direct and absolute measurement. The absence of electrical contact on the cursor eliminates all wear and guarantees almost unlimited mechanical life expectancy. The non-contact (Floating) cursor provides exceptional ease of installation with a variety of available cursor position target.

The high versatile profile housing (need to match a suitable connector) offers full protection against outside agents for use in harsh environments with high contamination and presence of dust.

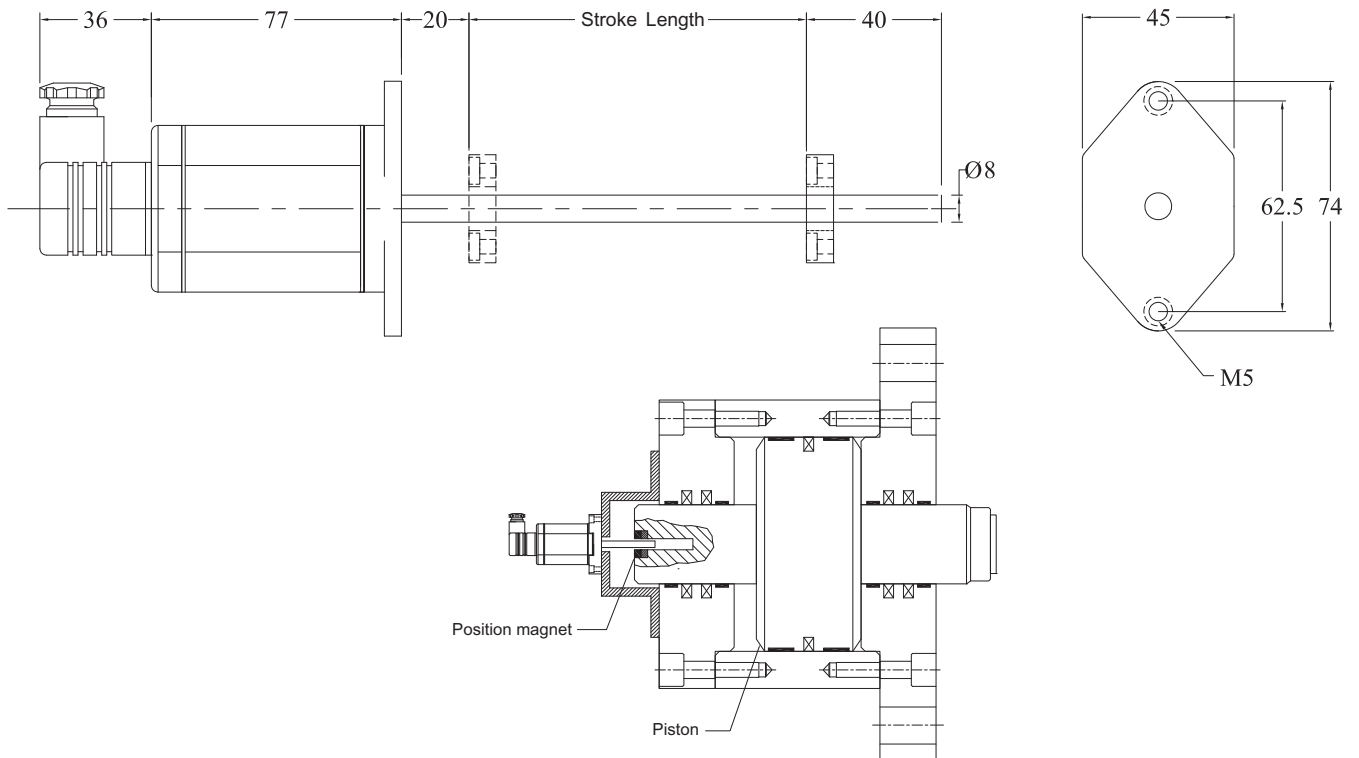


Specifications

	1 2 0	1 2 3
Order Code		
Output	0-10Vdc, 10-0Vdc dual-output	Start / Stop
Measurement Type	Linear displacement	
Resolution	Infinite, restricted by output ripple	0.1 / 0.01 / 0.005m
Input Voltage	+24Vdc (20.4 - 28.8Vdc)	
Input Protection	Polarity protection up to -30Vdc, Over voltage protection up to 36Vdc	
Current Consumption	50-140mA (stroke range dependent)	
Dielectric Strength	500Vdc (DC ground to machine ground)	
Repeatability	< ±0.005% of full scale	
Non-Linearity	< ±0.01% of full scale (minimum ±90µm)	
Update Time	0.2 ms	
Mounting	M5 x 2	
Housing Material	Anodized aluminum	
Operation Temp.	-40 to 75°C, Humidity 90% non-condensing	
Sealing	IP65 / IP67 (with connector)	
Vibration Rating	15g / 10-2000Hz / IEC standard 68-2-6	
Shock Rating	100g single hit per IEC standard 68-2-27	
EMC	Emission EN 61000-6-3, Immunity EN 61000-6-2 EN 61000-4-2/3/4/6	

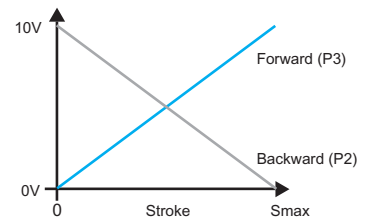
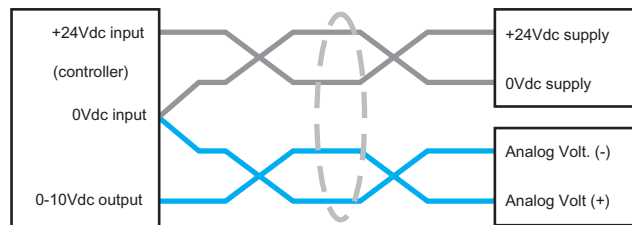
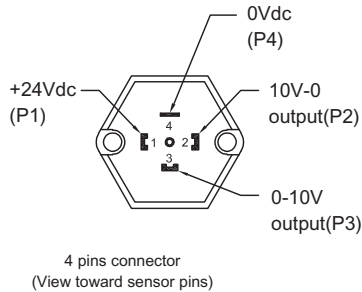
Infinite resolution ...

Dimension and Installation



Wiring Connection

Analog Voltage Output



Order Code

1 2 X X 1 X X X X X

Output

0 = 0 - 10Vdc and 10 - 0 Vdc
3 = Start / Stop

Connector (Voltage)

0 = 4 pins connector (IP65)

Connector (Start/Stop)

6 = 8 pins M12 connector
(not include M12 female connector)

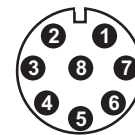
Magnet Type

1 = Dia. 33mm ring
2 = Dia. 25mm ring

Stroke Length

0050, 0100, 0130

Start/Stop Digital Output

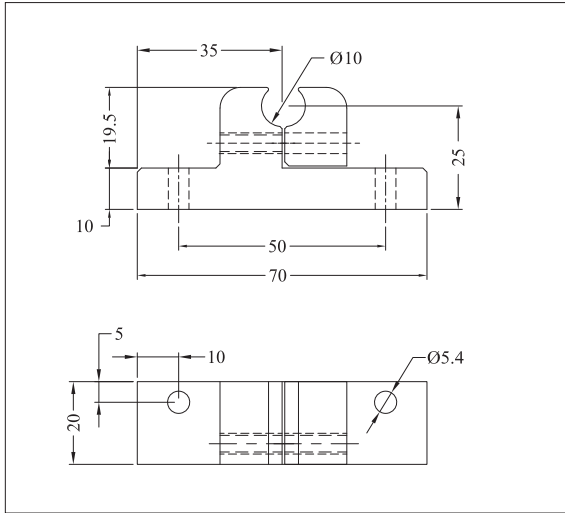


8 pins M12
(View toward sensor pins)

	Start / Stop
1	Start (+)
2	Start (-)
3	Stop (+)
4	Stop (-)
5	N.C.
6	N.C.
7	+24 Vdc
8	0Vdc

Discription
Order Code

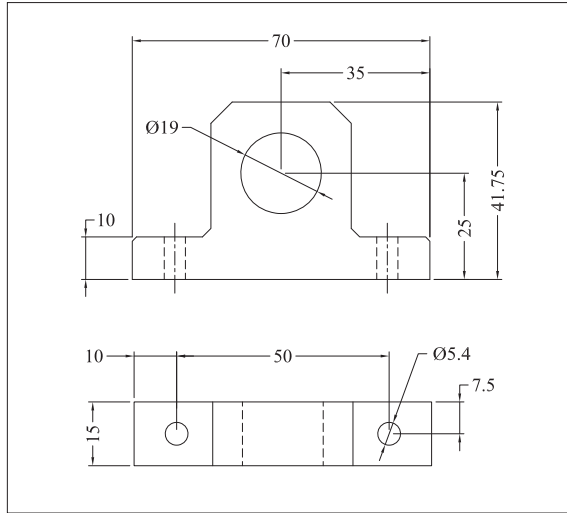
10mm dia. housing pipe mounting
1900 951 002



Material
Weight

Aluminium
~30g

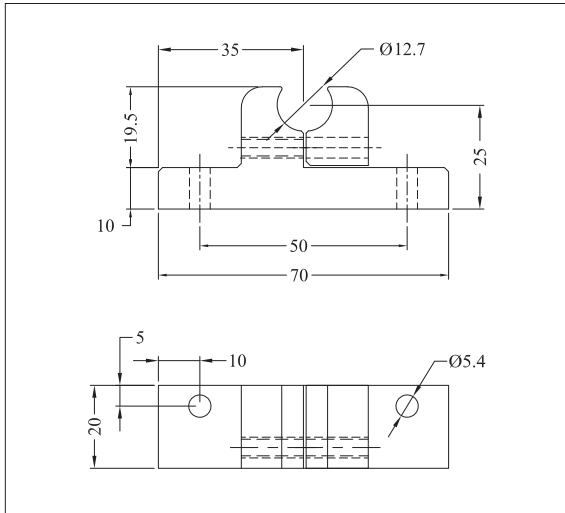
M18x1.5 flange external mounting
1900 951 003



Aluminium
~45g

Discription
Order Code

12.7mm dia. housing pipe mounting
1900 951 005



Material
Weight

Aluminium
~30g



10mm dia. housing pipe mounting



60mm ring

25mm ring

33mm ring